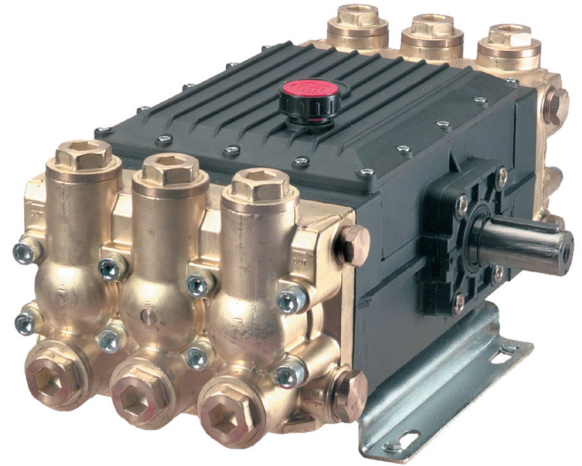


T Series 77

30 mm bore – Sixplex Plunger Pump

FEATURES

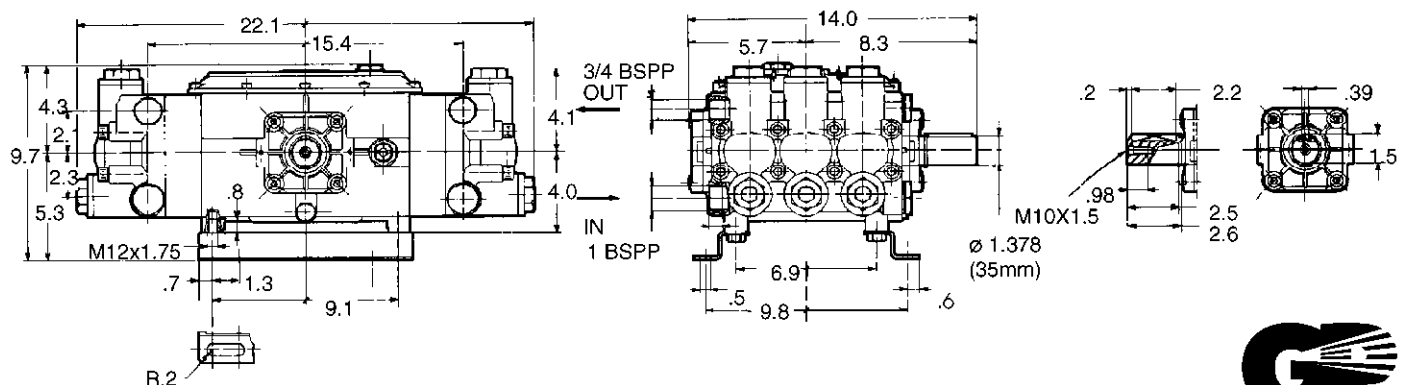
- Forged brass manifold with exclusive lifetime warranty
- High flow applications
- Dual manifolds utilizing a common crankcase for efficient performance
- Solid ceramic plungers with continuously lubricated packings
- Unitized stainless steel inlet and discharge valves
- Bronze connecting rods for maximum life



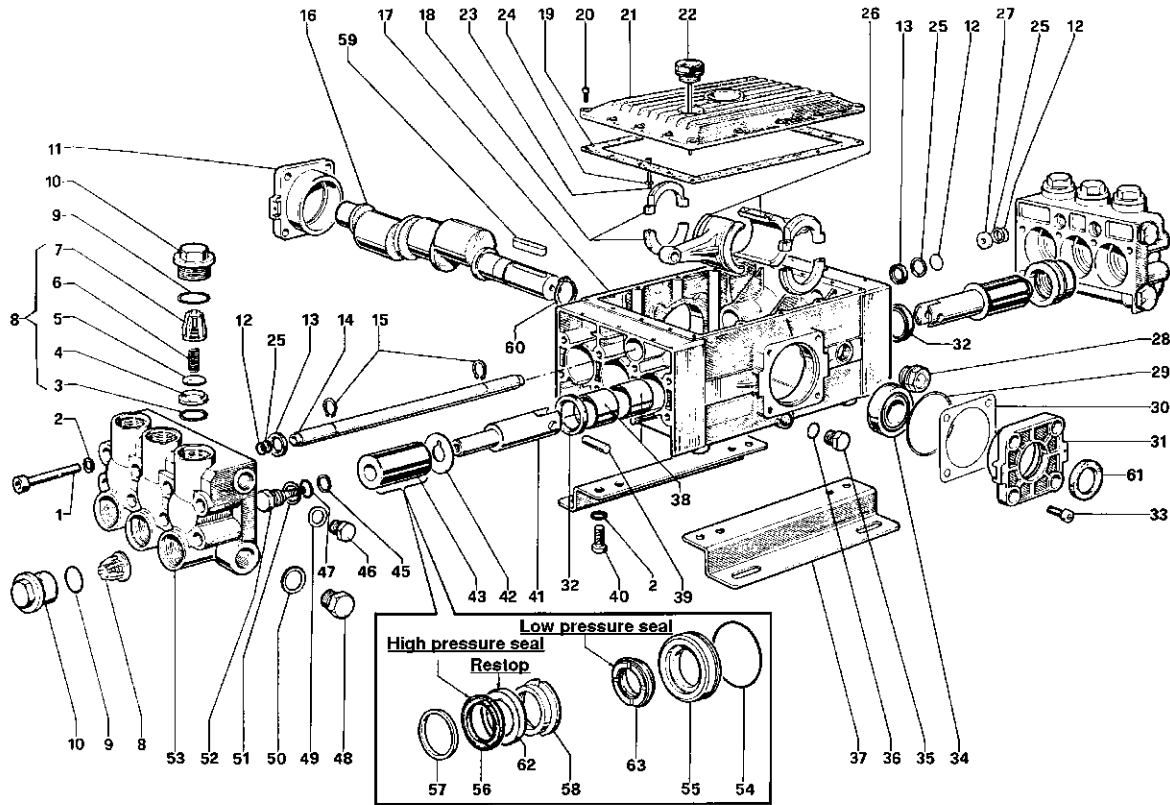
SPECIFICATIONS

Pump Model	T1591
Maximum Volume	28.0 GPM
Maximum Discharge Pressure	2175 PSI
Maximum Pump Speed	1000 RPM
Maximum Inlet Pressure	125 PSI
Maximum Inlet Vacuum	9 ft. water (7.9 in. Hg)
Bore	1.181 in. / 30 mm
Stroke	1.102 / 28
Crankcase Oil Capacity	71 oz.
Maximum Fluid Temperature	165°F
Inlet Port Thread	1-11 BSPP-F
Discharge Port Thread	3/4-14 BSPP-F
Shaft Diameter.	1.378 in. / 35 mm
Weight	156 lbs.
Dimensions	22.1 x 14.0 x 9.7 in.

DIMENSIONAL DRAWING



T Series 77 – 30 mm bore



PARTS LIST

ITEM PART NO.	DESCRIPTION	KIT NO.	QTY.	ITEM PART NO.	DESCRIPTION	KIT NO.	QTY.	ITEM PART NO.	DESCRIPTION	KIT NO.	QTY.
1.	99.4418.00	Screw	16	21.	77.2114.22	Cover	1	42.	96.7568.00	Washer	6
2.	96.7195.00	Washer	20	22.	98.2272.00	Oil Dip Stick	1	43.	76.0400.56	Plunger (30 mm)	6
3.	90.4059.00	O-Ring	43 12	23.	99.1927.00	Screw	12	45.	90.5107.00	Anti-Ext. Ring	74 6
4.	36.2011.66	Valve Seat	43 12	24.	96.6938.00	Washer	12	46.	98.2265.00	Cap	3
5.	36.2010.76	Valve	43 12	25.	90.5091.00	Anti-Ext. Ring	4	47.	90.3841.00	O-Ring	74 6
6.	94.7450.00	Spring	43 12	26.	77.0302.41	Connecting Rod	3	48.	98.2325.00	Cap	2
7.	36.2009.51	Valve Guide	43 12	27.	77.2203.70	Cap	2	49.	96.7700.00	Washer	3
8.	36.7065.01	Valve Unit	43 12	28.	97.5968.00	Oil Indicator	1	50.	96.7870.00	Washer	2
9.	90.4065.00	O-Ring	12	29.	90.4141.00	O-Ring	2	51.	96.7555.00	Washer	74 6
10.	98.2420.00	Cap	12	30.	76.2200.78	Shim	2	52.	69.2195.66	Plunger Bolt	74 6
11.	76.1501.22	Cover	1	31.	76.1500.22	Crankcase	1	53.	77.1210.41	Manifold	2
12.	90.3835.00	O-Ring	4	32.	90.1670.00	Ring	44 6	54.	90.3903.00	O-Ring	114, 115 6
13.	90.1614.00	Ring	4	33.	99.3652.00	Screw	8	55.	76.0800.70	Packing Retainer	114, 115 6
14.	77.2122.93	Head Conn. Tube	1	34.	91.8474.00	Bearing	2	56.	90.2770.00	Packing	113, 115 6
15.	90.0605.00	Cir-Clip	2	35.	98.2100.00	Cap	1	57.	69.1000.51	Head Ring	65, 115 6
16.	76.0210.35	Crankshaft	1	36.	90.3833.00	O-Ring	1	58.	69.2167.70	Intermed. Ring	66, 115 6
17.	77.0100.22	Crankcase	1	37.	76.2000.74	Foot	2	59.	91.4978.00	Key	1
18.	77.2120.01	Ring	6	38.	90.9172.00	Bushing	12	60.	90.0695.00	Cir-Clip	1
19.	77.2118.84	Gasket	1	39.	97.7400.00	Plunger Pin	6	61.	90.1672.00	Ring	32 1
20.	99.1867.00	Screw	16	40.	99.4266.00	Screw	4	62.	90.2774.00	Ring	113, 115 6
				41.	77.0500.54	Plunger Guide	6	63.	90.2776.00	Seal, Low Press., 30mm	113, 115 6

REPAIR KITS

KIT NO.	32	43	44	65	66	74	113	114	115
ITEM NO.s INCLUDED IN KIT	61	3, 4, 5, 6, 7 (8)	32	57	58	45, 47, 51, 52	56, 62, 63	54, 55	54, 55, 56, 57, 58, 62, 63
NUMBER OF ASSEMBLIES IN KIT	2	6	3	6	3	3	3	3	1
NUMBER OF CYLINDERS KIT WILL SERVICE	-	6	3	6	3	3	3	3	1

TORQUE SPECS*

Position	Ft.-lbs.
1	51.5
10	95.8
20	7.3
23	8.8
28	13.2
33	29.4
35	29.4
40	51.5
46	51.5
48	73.7
52	29.4

*Decrease torque by 20% if threads are lubricated.

